

F FARFISA

ELECTRONIC ORGAN

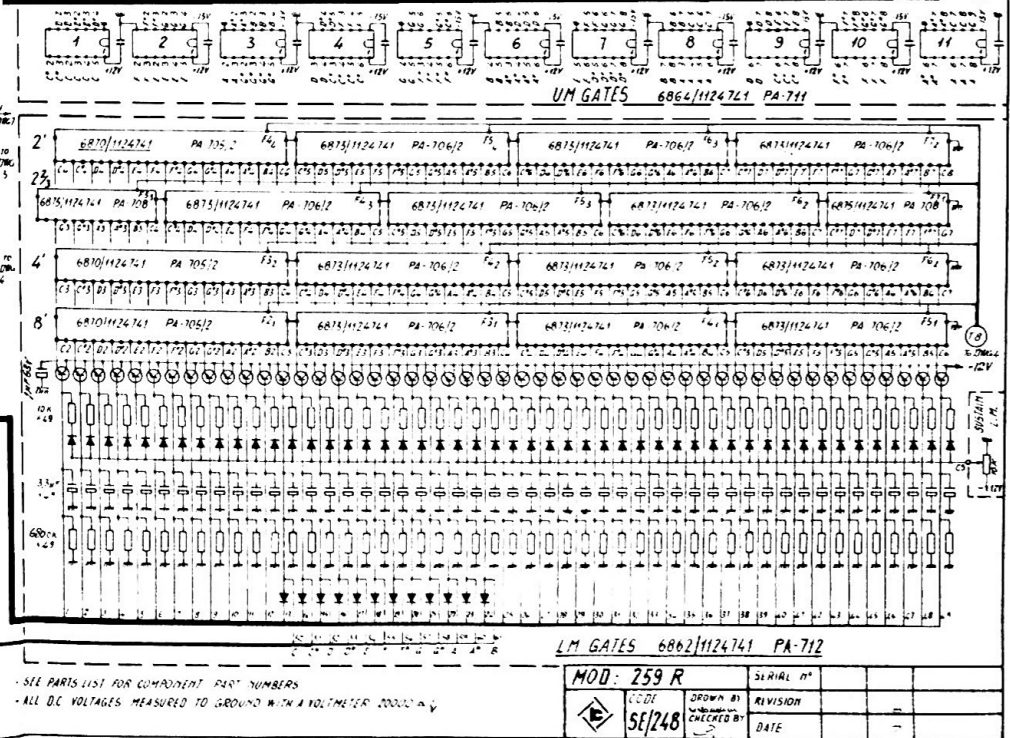
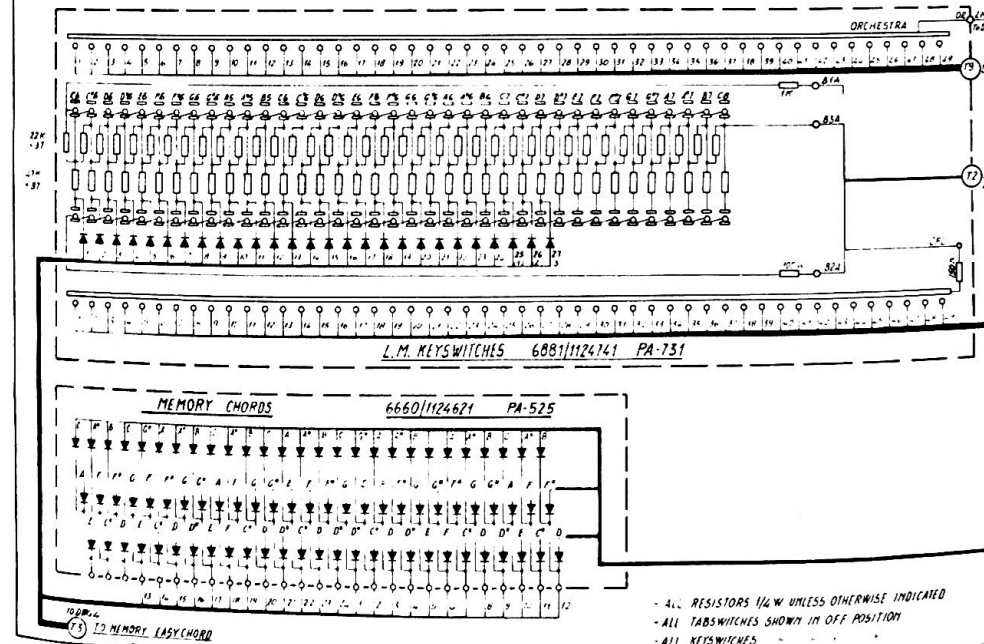
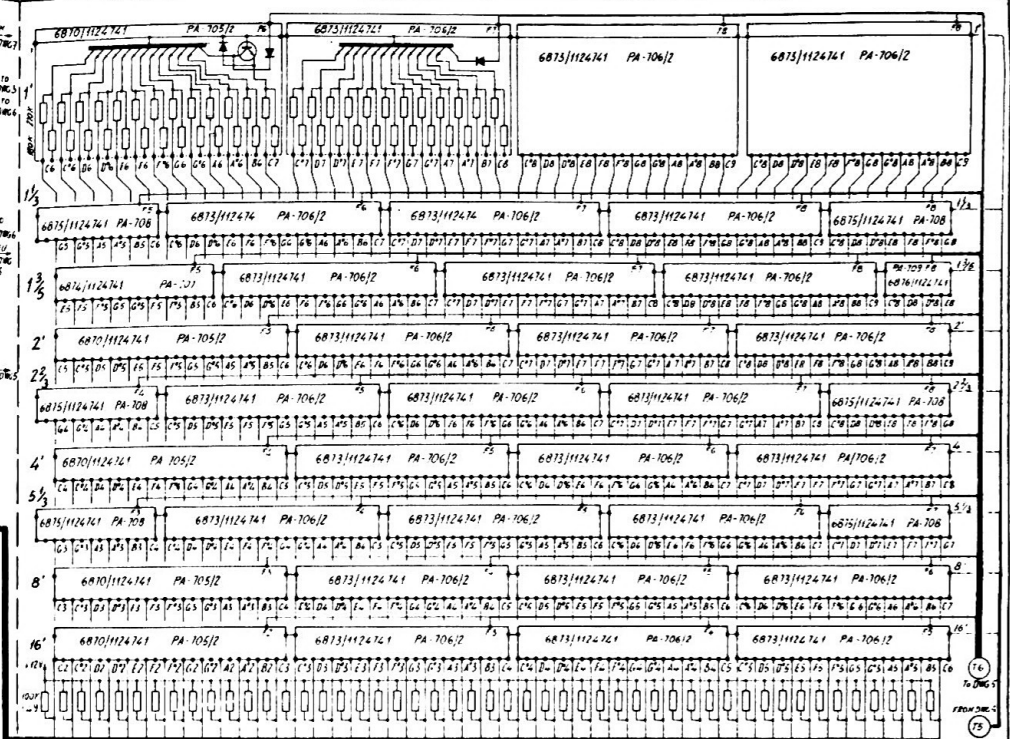
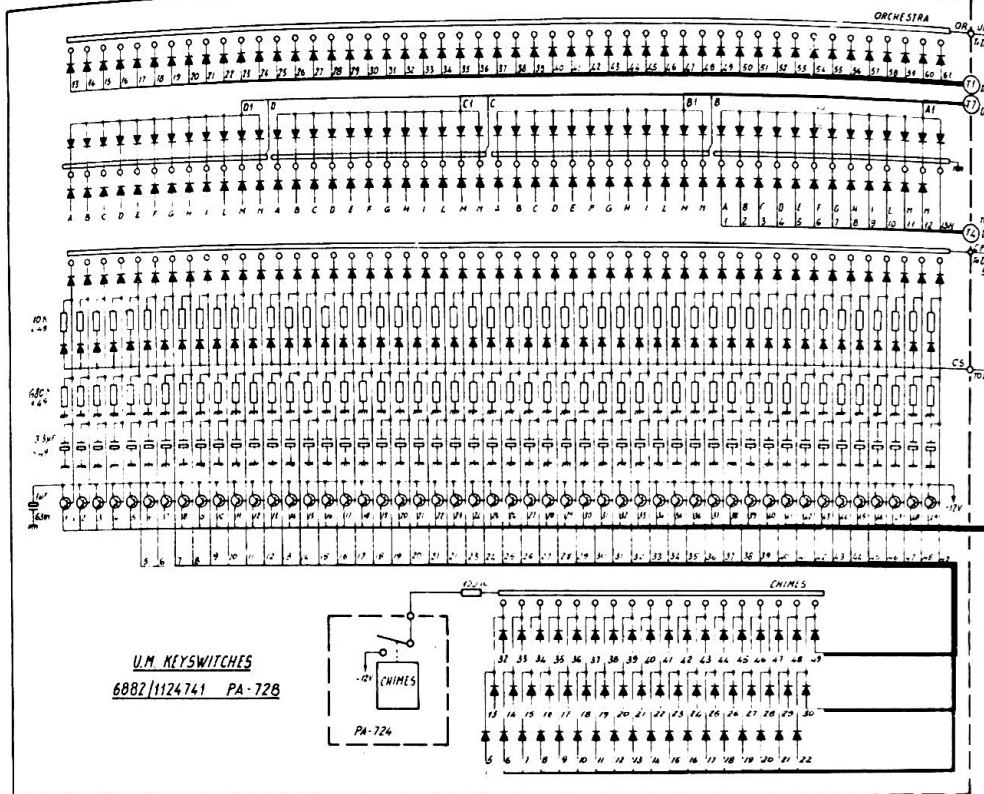
MOOD.

259

R

SCHEMATIC DIAGRAM

2ND EDITION

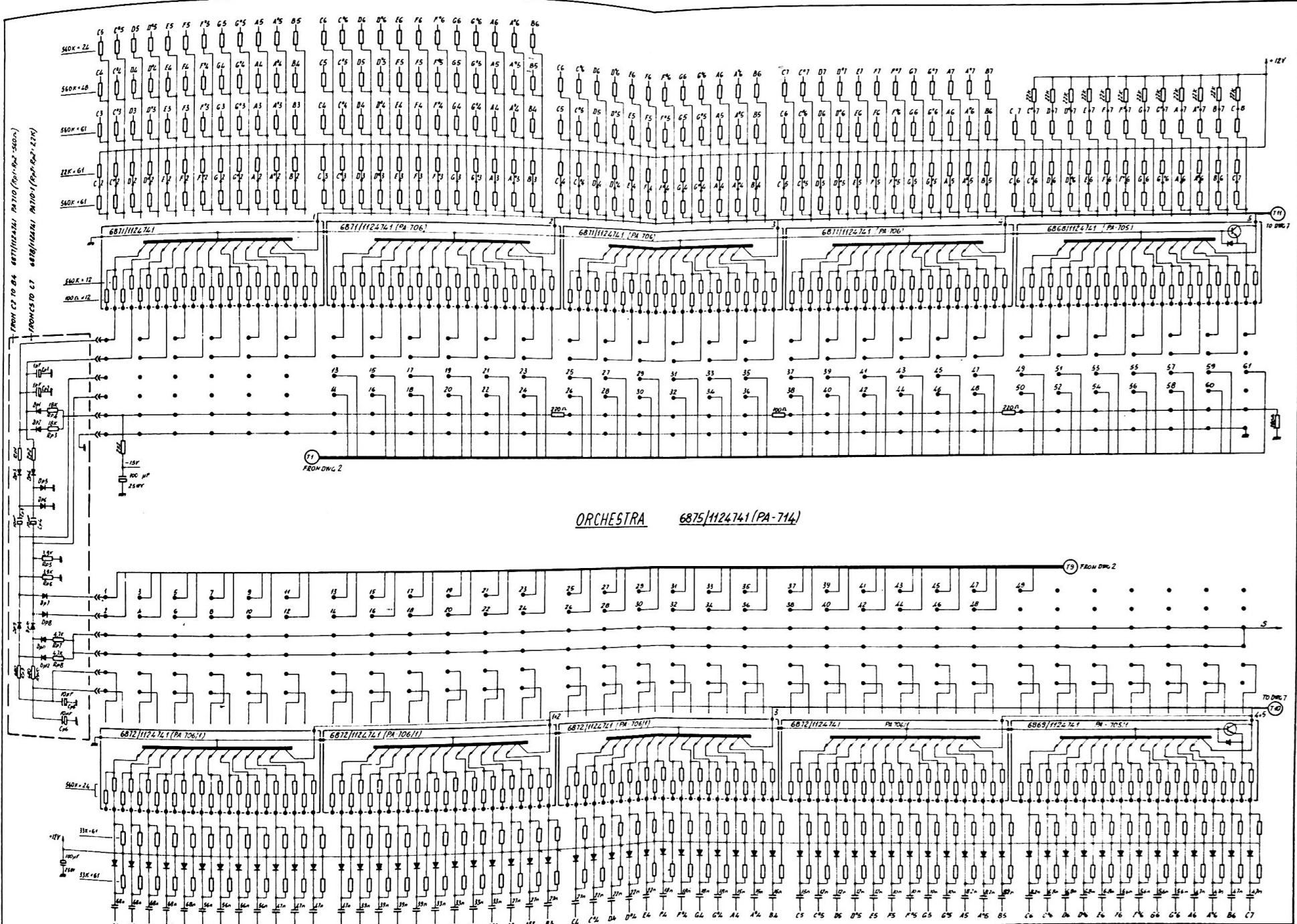


- ALL RESISTORS 1/4W UNLESS OTHERWISE INDICATED
 - ALL TABSWITCHES SHOWN IN OFF POSITION
 - ALL KEYSWITCHES

- SEE PARTS LIST FOR COMPONENT PART NUMBERS
 - ALL DC VOLTAGES MEASURED TO GROUND WITH A VOLTMETER 2000Ω/V

MOD: 259 R	SERIAL N°
5E/248	REVISION
	DATE

FROM CP TO 84 68711124741 (PA 706-1)
 FROM CP TO 84 68711124741 (PA 706-2)
 FROM CP TO 84 68711124741 (PA 706-3)
 FROM CP TO 84 68711124741 (PA 706-4)
 FROM CP TO 84 68711124741 (PA 706-5)

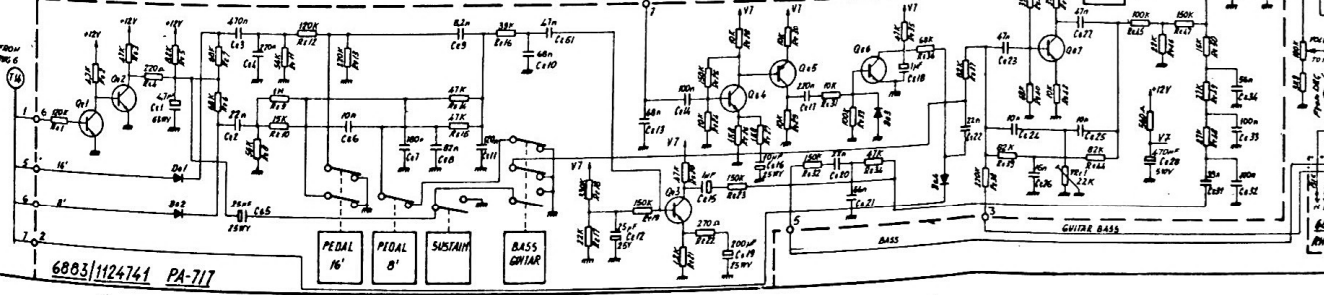
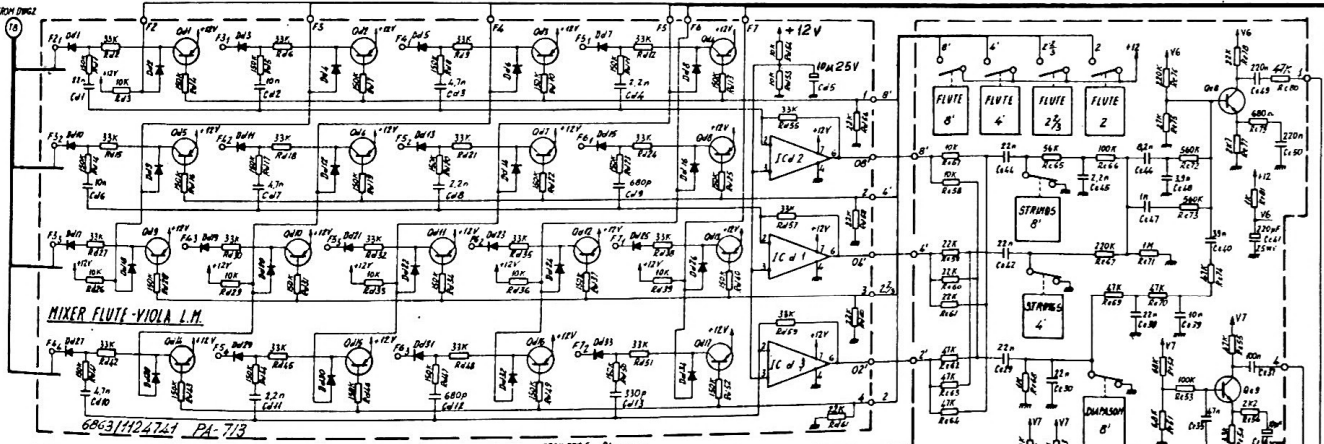
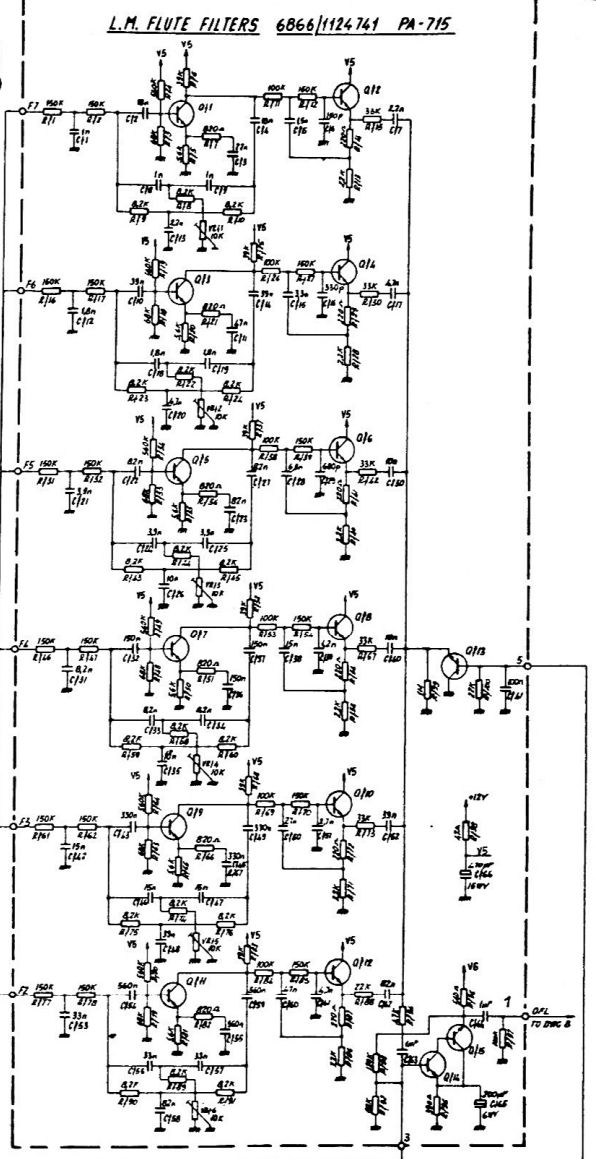
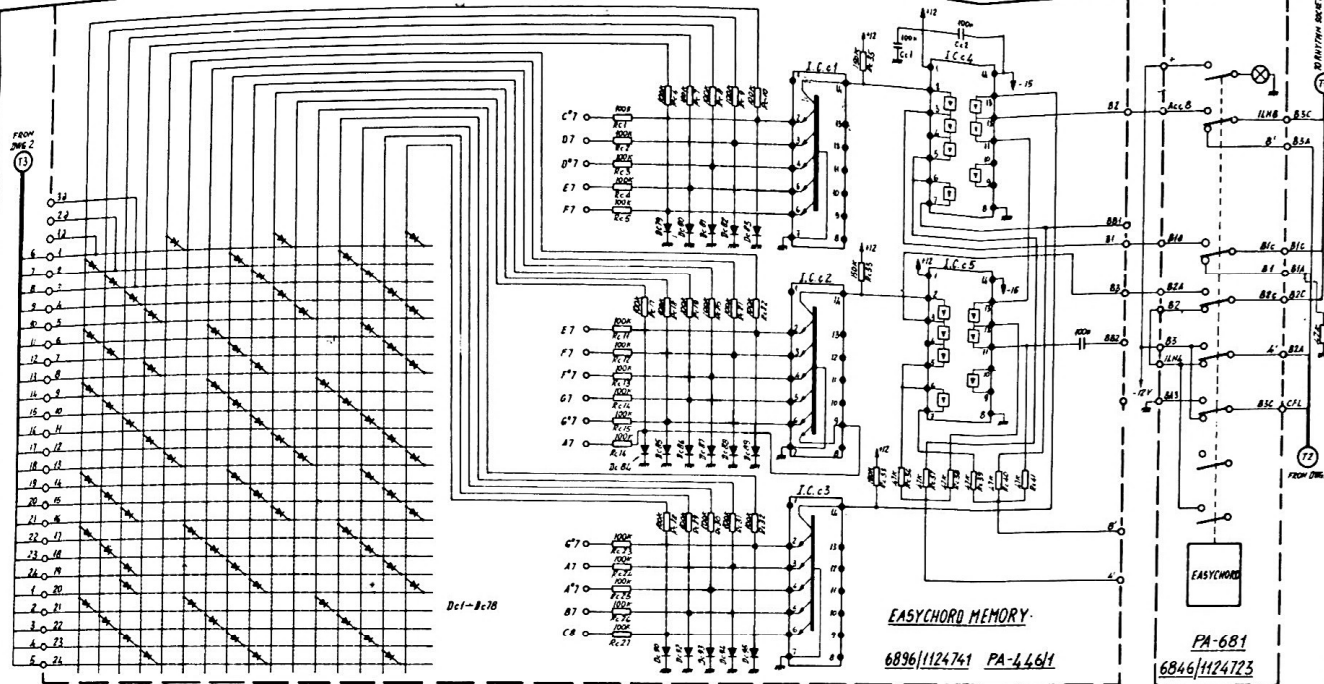


ORCHESTRA 68751124741 (PA-714)

- ALL RESISTORS 1/4 W UNLESS OTHERWISE INDICATED
- ALL TABSWITCHES SHOWN IN OFF POSITION
- ALL KEYSWITCHES
- SEE PARTS LIST FOR COMPONENT PART NUMBERS
- ALL D.C. VOLTAGES MEASURED TO GROUND WITH A VOLTMETER 20000Ω

MOD: 259 R	SERIAL	
CODE: SF1248	REVISION	
DATE		

L.M. FLUTE FILTERS 6866/1124741 PA-715



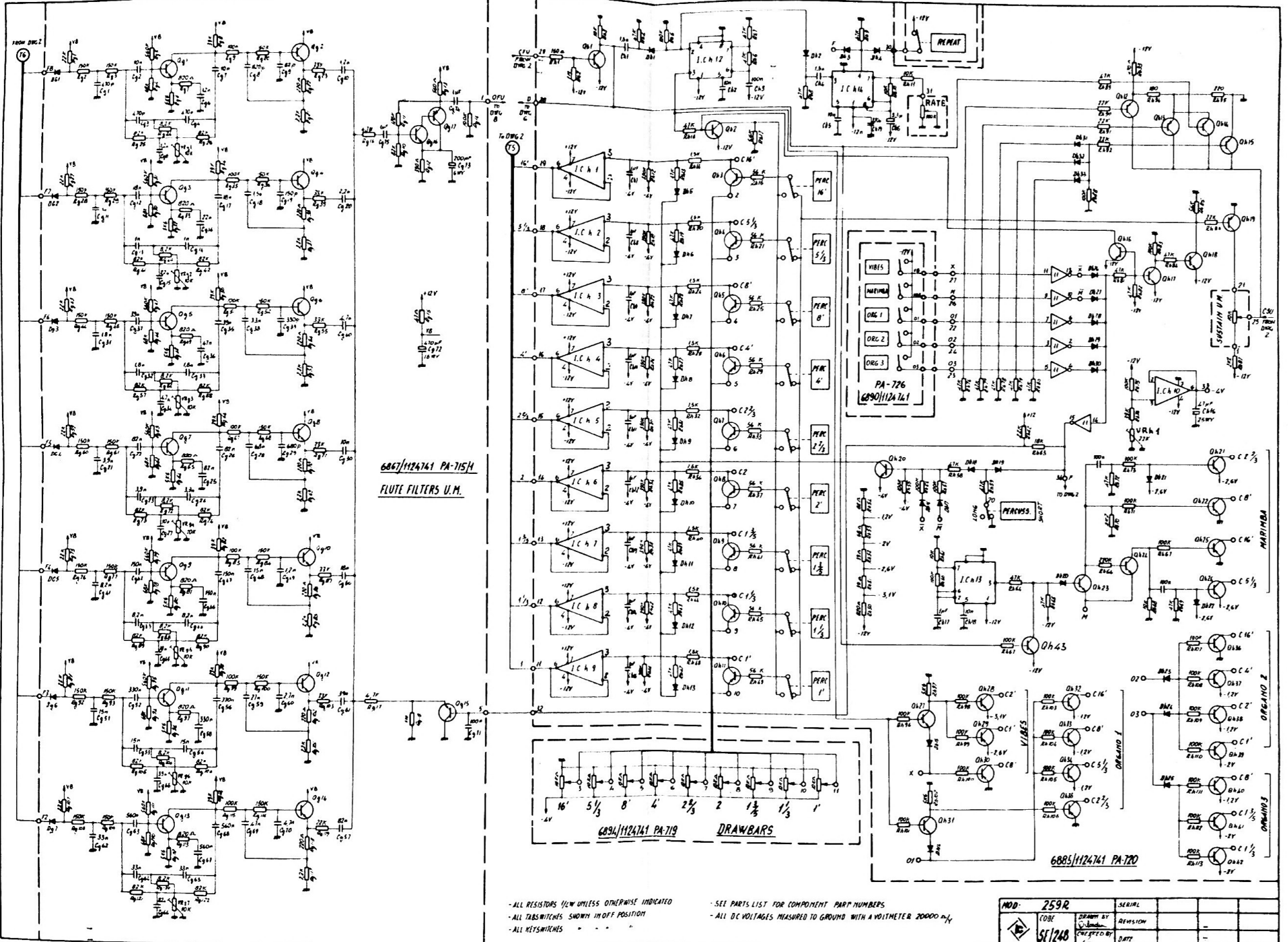
- ALL RESISTORS 1/4 W UNLESS OTHERWISE INDICATED
 - ALL TABSWITCHES SHOWN IN OFF POSITION
 - ALL KESWITCHES
 - SEE PARTS LIST FOR COMPONENT PART NUMBERS
 - ALL D.C. VOLTAGES MEASURED TO GROUND WITH A VOLTMETER 20000 Ω/V

MOD: 259 R SERIAL #
 CODE BY: SFL248 DRAWN BY: REVISION
 CHECKED BY: DATE

6895/1124741 PA-713
 RHYTHM SOCKET FOR PARTNER 153

(PA-749)
 150P
 68K 500K
 330P 220P
 150V

DWG 4 of 8



6867/124761 PA-715H
FLUTE FILTERS U.M.

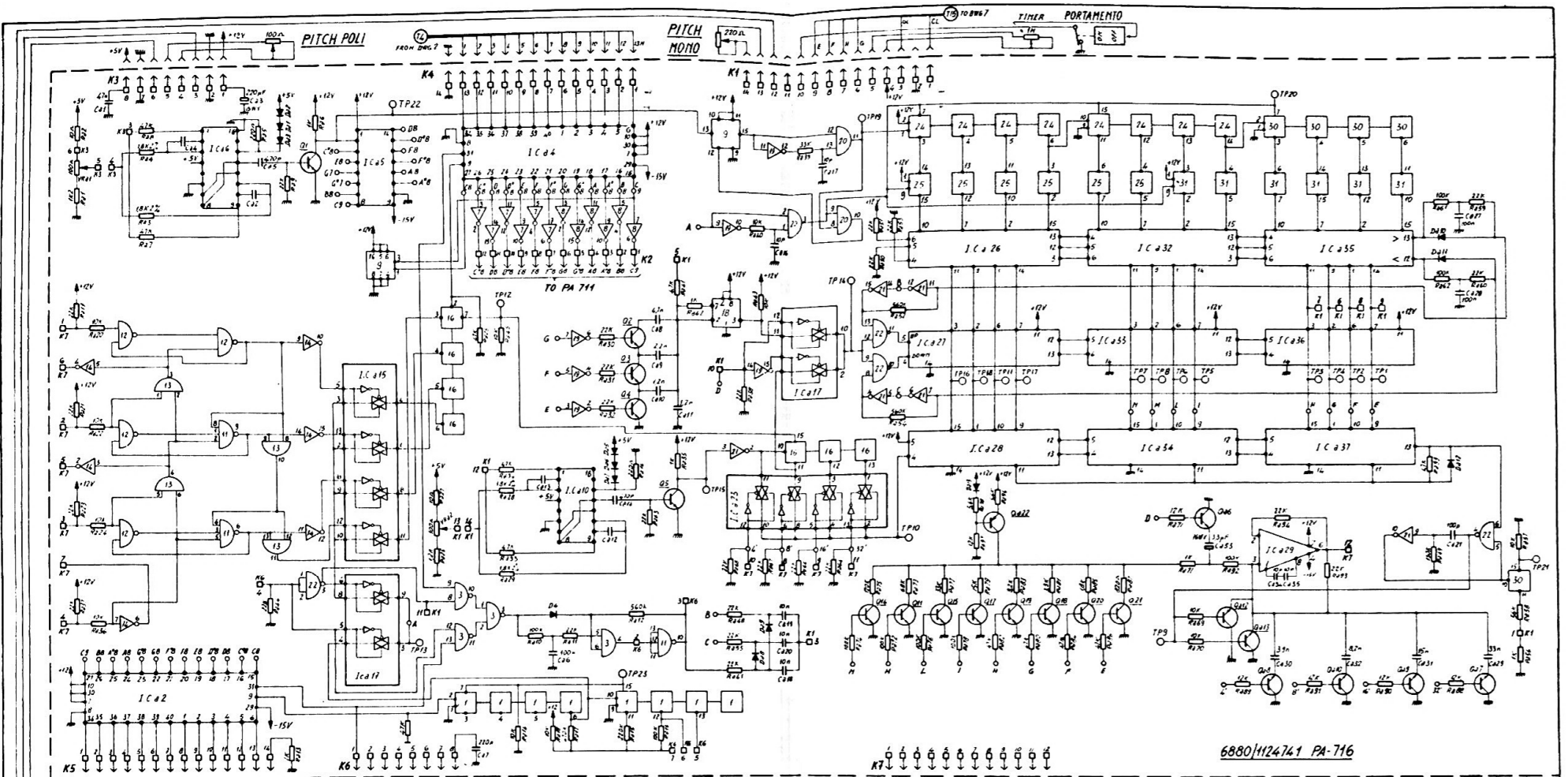
6894/124761 PA-719
DRAWBARS

6885/124761 PA-720

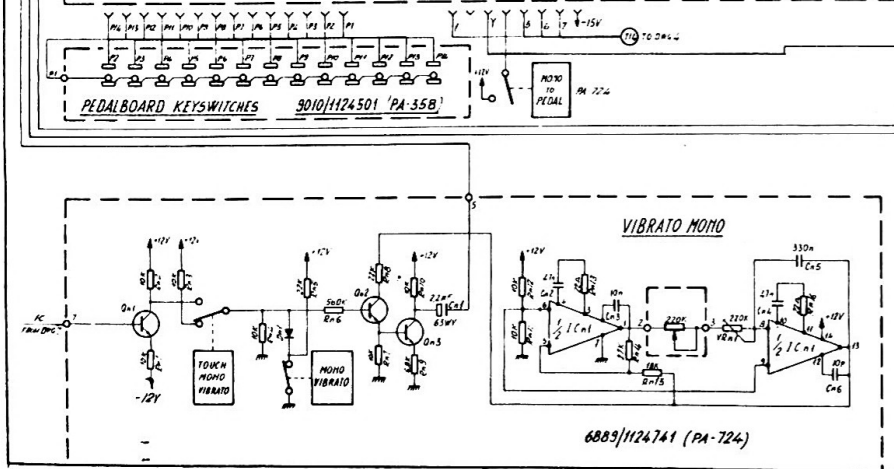
PA-726
6890/124761

- ALL RESISTORS 50W UNLESS OTHERWISE INDICATED
- ALL TABSWITCHES SHOWN IN OFF POSITION
- ALL DC VOLTAGES MEASURED TO GROUND WITH A VOLTMETER 20000 Ω
- ALL KEYSWITCHES
- SEE PARTS LIST FOR COMPONENT PART NUMBERS

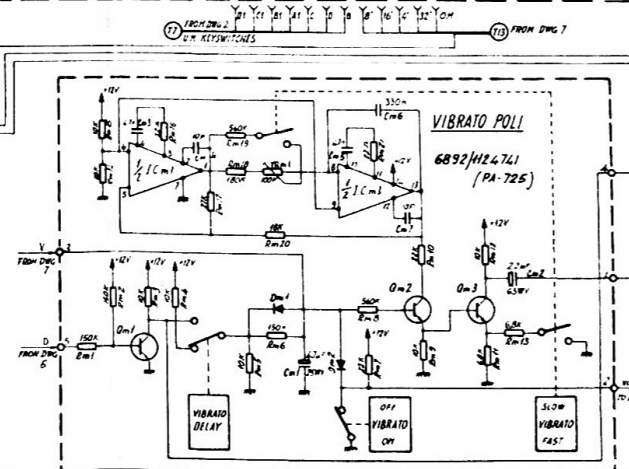
NO. 259R	DATE	REVISED
SI/248	DATE	DATE



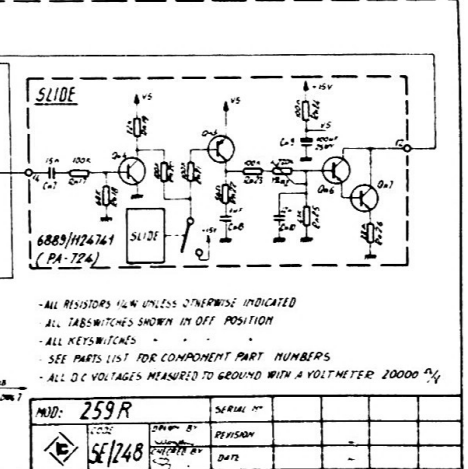
6880/H24741 PA-716



6883/H24741 (PA-724)



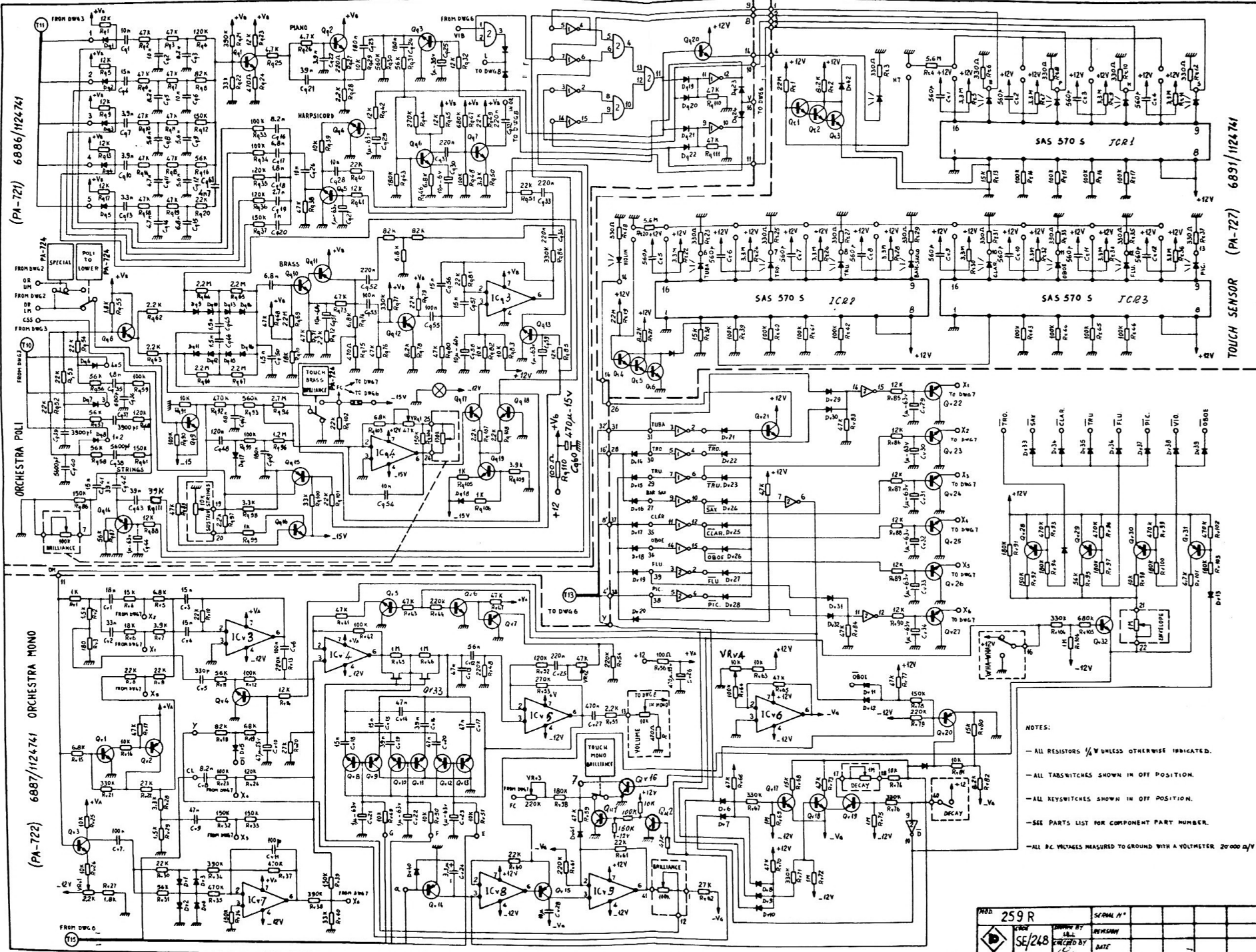
6892/H24741 (PA-725)



6889/H24741 (PA-724)

- ALL RESISTORS 1/4W UNLESS OTHERWISE INDICATED
- ALL TABSWITCHES SHOWN IN OFF POSITION
- ALL KEYSWITCHES
- SEE PARTS LIST FOR COMPONENT PART NUMBERS
- ALL DC VOLTAGES MEASURED TO GROUND WITH A VOLTMETER 20000 Ω

MJD: 259R	SERIAL #		
SE/248	REVISED BY	PHYSION	
	DATE		



(PA-721) 6886/1124741

ORCHESTRA POLI

(PA-722) 6887/1124741 ORCHESTRA MONO

HARPICORB

BRASS

TOUCH MONO

SAS 570 S ICR1

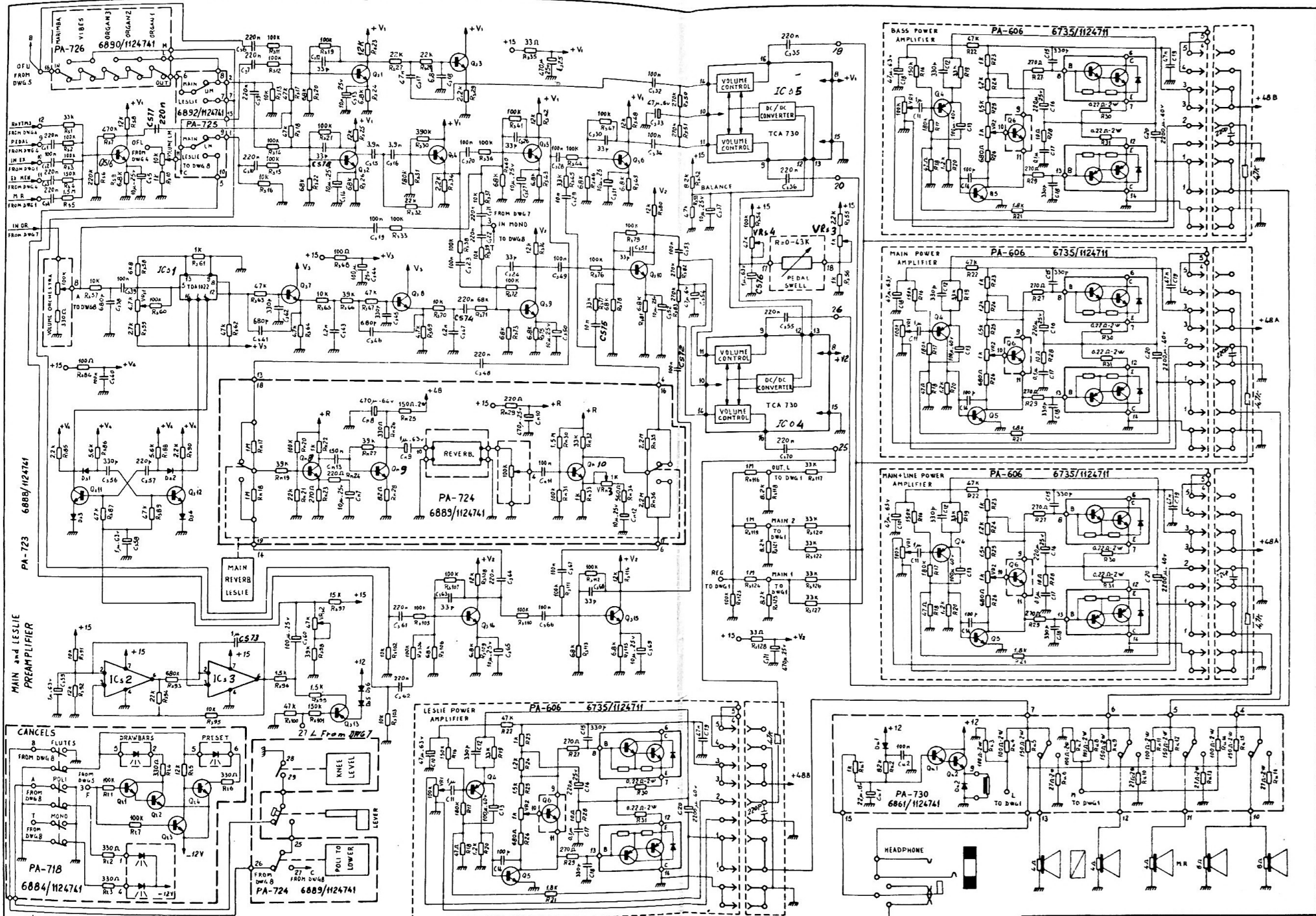
SAS 570 S ICR2

SAS 570 S ICR3

TOUCH SENSOR (PA-727) 6891/1124741

- NOTES:
- ALL RESISTORS 1/4 W UNLESS OTHERWISE INDICATED.
 - ALL TABSWITCHES SHOWN IN OFF POSITION.
 - ALL KEYSWITCHES SHOWN IN OFF POSITION.
 - SEE PARTS LIST FOR COMPONENT PART NUMBER.
 - ALL DC VOLTAGES MEASURED TO GROUND WITH A VOLTMETER 20,000 Ω/V

PROJ	259 R	DESIGNED BY	SE/248	REVIEWED BY		DATE	
				DWG 7 OF 8			



- ALL RESISTORS 1/4 W UNLESS OTHERWISE INDICATED.
- ALL TABSWITCHES SHOWN IN OFF POSITION.
- ALL KEYSWITCHES SHOWN IN OFF POSITION.
- SEE PARTS LIST FOR COMPONENT PART NUMBERS.
- ALL DC VOLTAGES MEASURED TO GROUND WITH A VOLTMETER 20000 A/V

MOD 259 R	DATE	DESIGNED BY	REVISION
	SE/248	WCA	
		DATE	